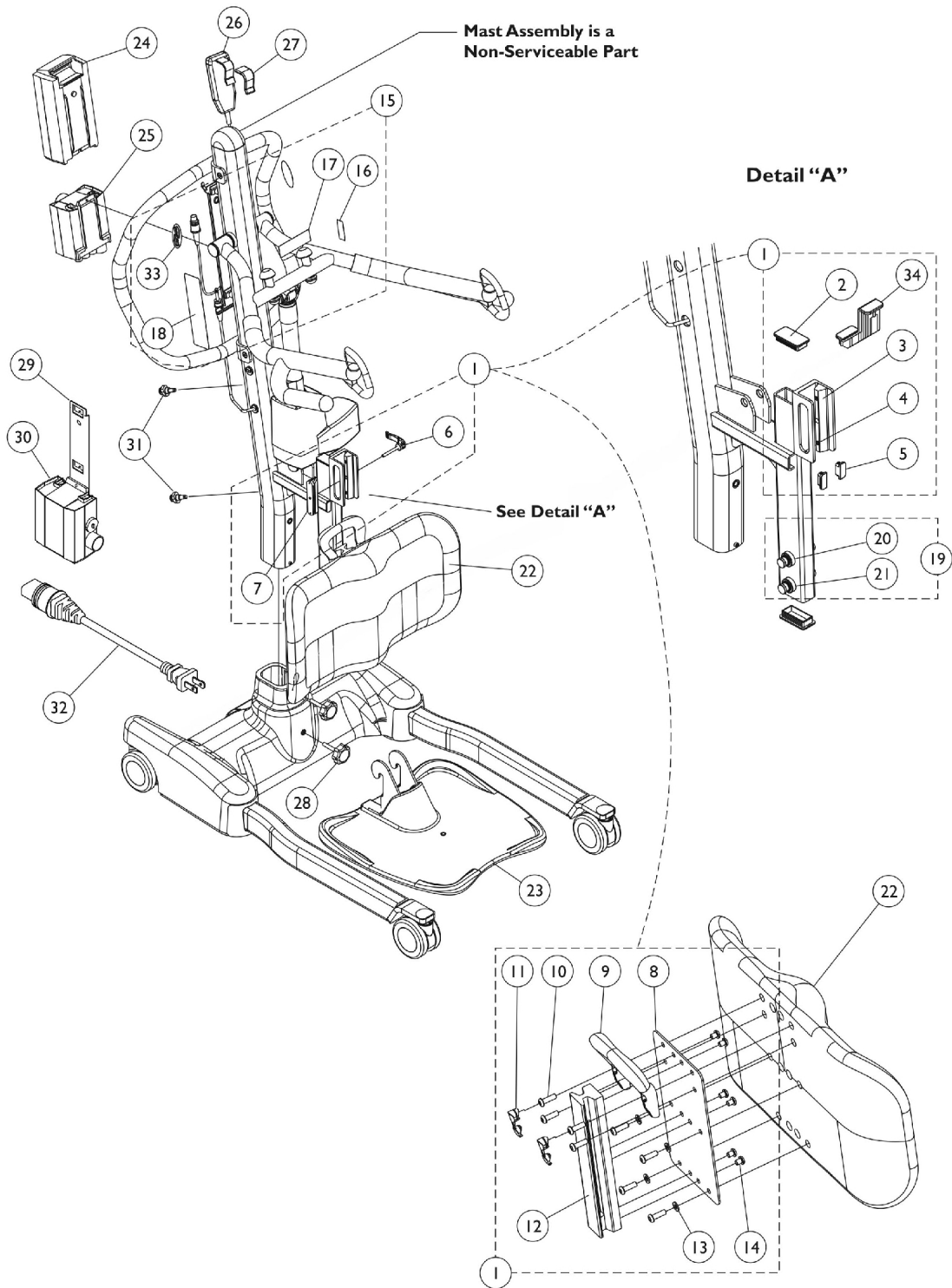


# Roze Stand Up Lift

## Labels, Hanger Hardware, Battery Pack, Controller and Hand Control



# Roze Stand Up Lift

## Labels, Hanger Hardware, Battery Pack, Controller and Hand Control

Item Number	Note	Part Number	Description	Quantity Per		
				Package	Assembly	
1	A	1161594	Kit, Knee Pad Mounting Hardware	1	1	
2			Plug, Tube (1-3/16 x 2-1/4")	1	2	
3			Rubber, Knee Pad Fixed	1	1	
4			Screw, Phillips, Pan Head, Machine (M3 x 14)	1	4	
5			Cover, Tube Support Knee Pad	1	2	
6			Knob, Quick Release	1	1	
7			Knee Flex Pad Adjustment Assembly	1	1	
8			Plate, Knee Rest, Front	1	1	
9			Handle, Knee Pad	1	1	
10			Screw, Socket Button Head (5/16-18 x 1")	1	8	
11			Rubber, Knee Pad Handle	1	2	
12			Guide Plate, Knee Pad	1	1	
13			Washer, Plain (21/64 x 5/8 x 3/64")	1	4	
14			Screw, Socket Button Head (5/16-18 x 3/8")	1	6	
34	B	1169845	Cover, Tube, Knee Pad	1	1	
15			Kit, Label and Decals, Roze	1	1	
16			Decal, Roze Lift	1	1	
17			Label, Sling	1	1	
18	Label, Warning, Roze 450 Lbs.	1	1			
29	C	1161595	Decal, Invacare Logo	1	2	
19			Kit, Footplate Hanger Hardware	1	1	
20			Retaining Ring	1	4	
21			Pin, Foot Plate	1	2	
22			1148516	Knee Pad Assembly, Blue	1	1
23			1148520	Footplate Assembly w/ Cover, Blue	1	1
24			1152383	Battery Pack	1	1
25			1146904	Controller	1	1
26			1152379	Hand Control	1	1
27			1161593	Package, Rubber Clip	10	1
28			1148489	Knob, M8	1	2
29			1078306	Bracket, Wall Mount Charger - Electric Only	1	1
30	1152391	Charger, Electric Only	1	1		
31	1161589	Package, Screw, Charger Bracket and Mast	10	1		
32	1079133	Cord, USA - Electric Only	1	1		

NOTE: A - Includes Items 2 - 14 and 34.  
 B - Includes Items 16 - 18 and 33.  
 C - Includes Items 20 and 21.