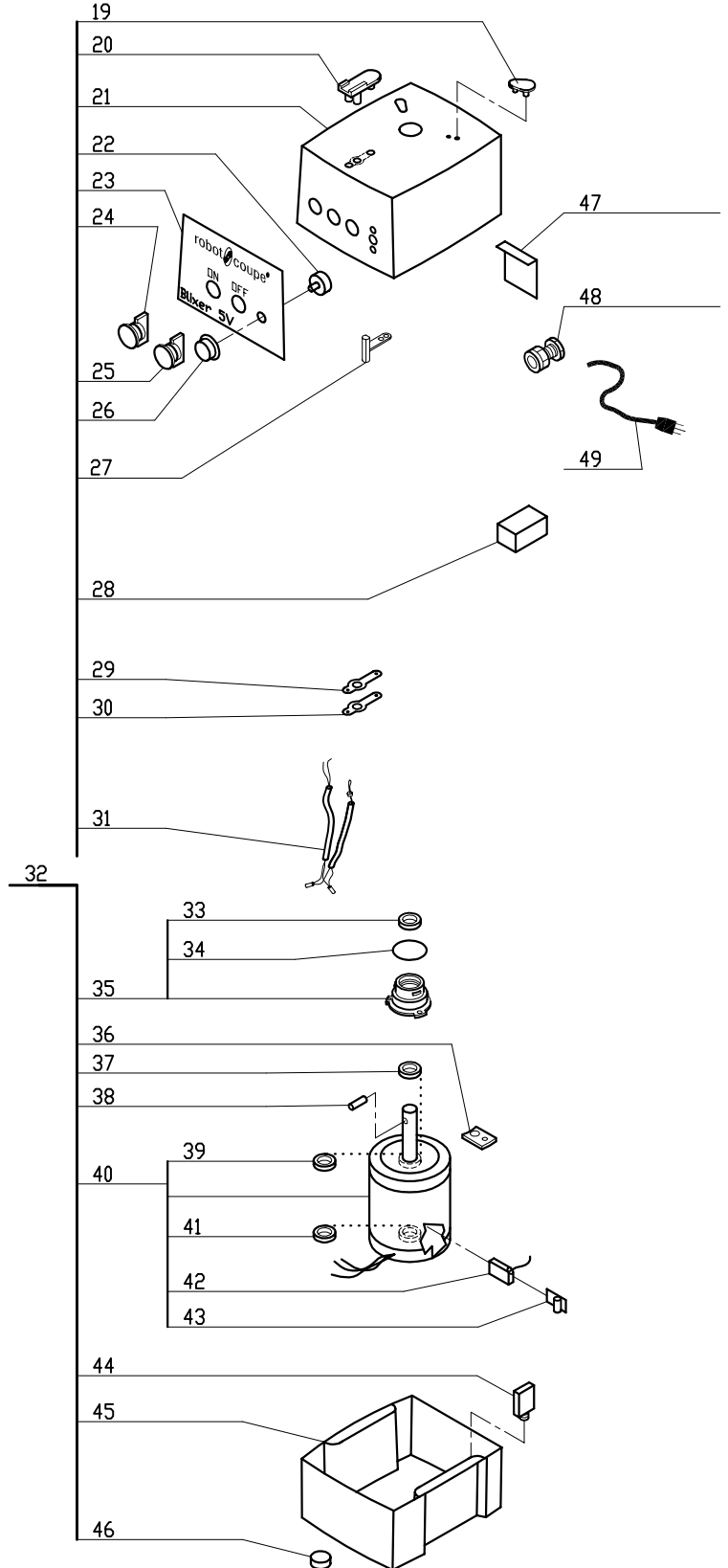
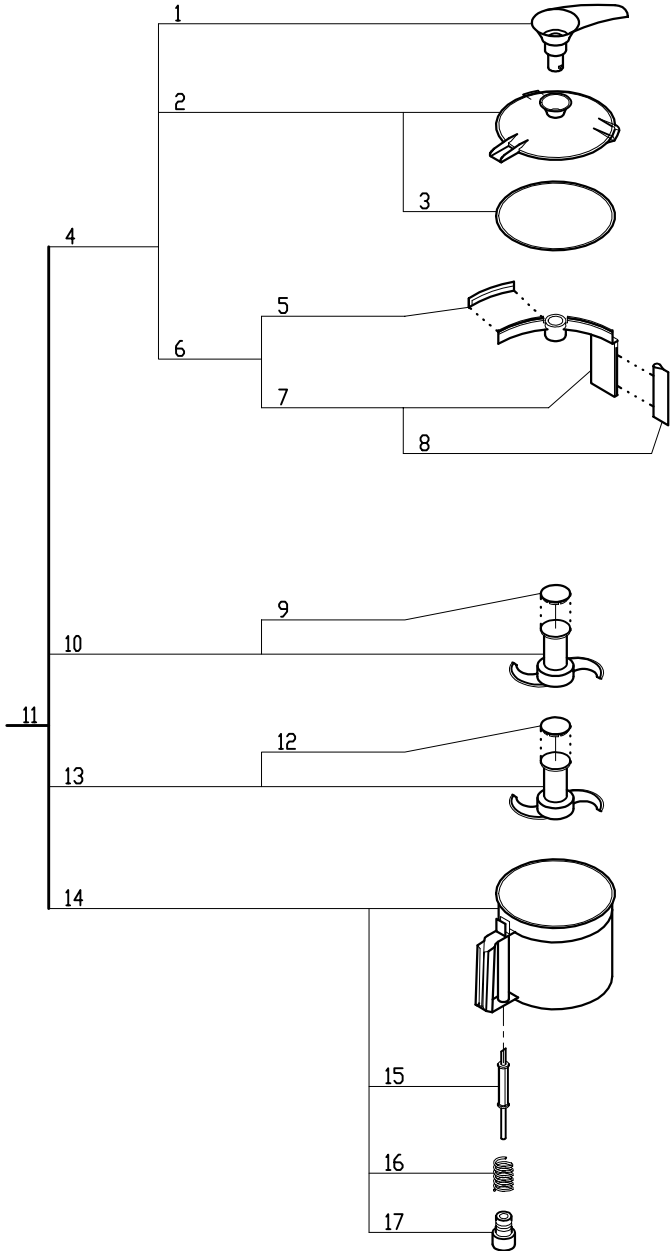
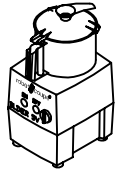


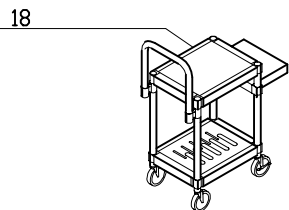
Phone: 1-800-824-1646  
 Fax: 601-898-9134  
 email: info@robotcoupeusa.com

# Blixer 5V

Serial Numbers 242xxxxx03 and up  
 Variable Speed, 120 Volt, 1 Phase, 60Hz., 1 HP.  
 370-3450 RPM, 12 Amps



**ACCESSORIES**



Index PDF	Référence	Designation commerciale	Tarif
1	117187	Handle	50.80 USD
2	29341	Lid	151.00 USD
3	447400 117100S	Seal,Lid	Contact us
4	29882	Lid W/Blade Wiper Assy.	269.35 USD
6	<del>BX420</del> 29881	Wipe Blade Holder W/Wipers	47.10 USD
7	29468	Wiper Blade Holder W/Vertical Wiper	37.15 USD
8	117651	Vertical Wiper	6.00 USD
9	117186	Cap	1.95 USD
10	27155	* Blixer Blade(Fine) 4 Quart	306.00 USD
11	27165	* 5.5 qt. Blixer Bowl Assy	1'239.00 USD
13	27180	* Blixer Blade (Coarse) 4 Quart	375.00 USD
14	117196	Blixer Bowl Only 5.5 qt.	949.75 USD
15	102081	Pin, Bowl	12.45 USD
16	502104	Spring, Bowl Pin	1.95 USD
17	117024	Nut For Bowl Pin	26.60 USD
18	R199	* Robo-Cart	479.00 USD
19	29336	BOWL SUPPORT ASSEMBLY (x2)	42.70 USD
20	102084	Support/Pad,Front	3.40 USD
21	117046	Motor Support	785.15 USD
22	RV6043	SWITCH KNOB	19.60 USD
23	408089	(H) Front Data Plate, Blixer5V	13.40 USD
24	502174	Green "On" Switch Assy	82.75 USD
25	502173	Red "Stop" Switch Assy	82.75 USD
26	<del>RV614</del> RV30214	SWITCH KNOB	7.80 USD

27	102391	(D) Magnetic Switch R6VN Series D	22.65 USD
28	R664S	CONTROL RELAY RUN (DPST)	61.90 USD
29	117637	Gasket	3.05 USD
30	117636	Metal Plate	4.10 USD
31	29363	Mag Swtch w/Hse (single)	47.20 USD
32	BXV470	BX4V Motor Base Assy	5'278.05 USD
33	<del>501624</del> 501624S	Motor Support Seal	Contact us
34	<del>502670</del> 502670S	O Ring, Seal Support	Contact us
35	102075	Seal Support	109.00 USD
36	117267	Plate, Motor Mounting	20.90 USD
37	R604S	SEAL MOTOR	21.70 USD
38	R492A	SHAFT PIN (NEW STYLE)	13.75 USD
39	R662	BEARING, MOTOR TOP	42.90 USD
40	RVA604	Motor Only (New Style R6VN)	1'737.05 USD
41	R1540	BEARING, MOTOR BOTTOM	40.85 USD
42	RVA604.2	Brush	61.35 USD
43	RVA604.3	Spring, Brush	15.10 USD
44	RB497	CIRCUIT-BREAKER	23.55 USD
45	117171	Base	489.05 USD
46	101418	Foot	3.25 USD
47	RV6041	PC BOARD W/SWITCH	360.95 USD
48	<del>515515</del> 515515S	Strain Relief	Contact us
49	R496	POWER CORD	12.10 USD