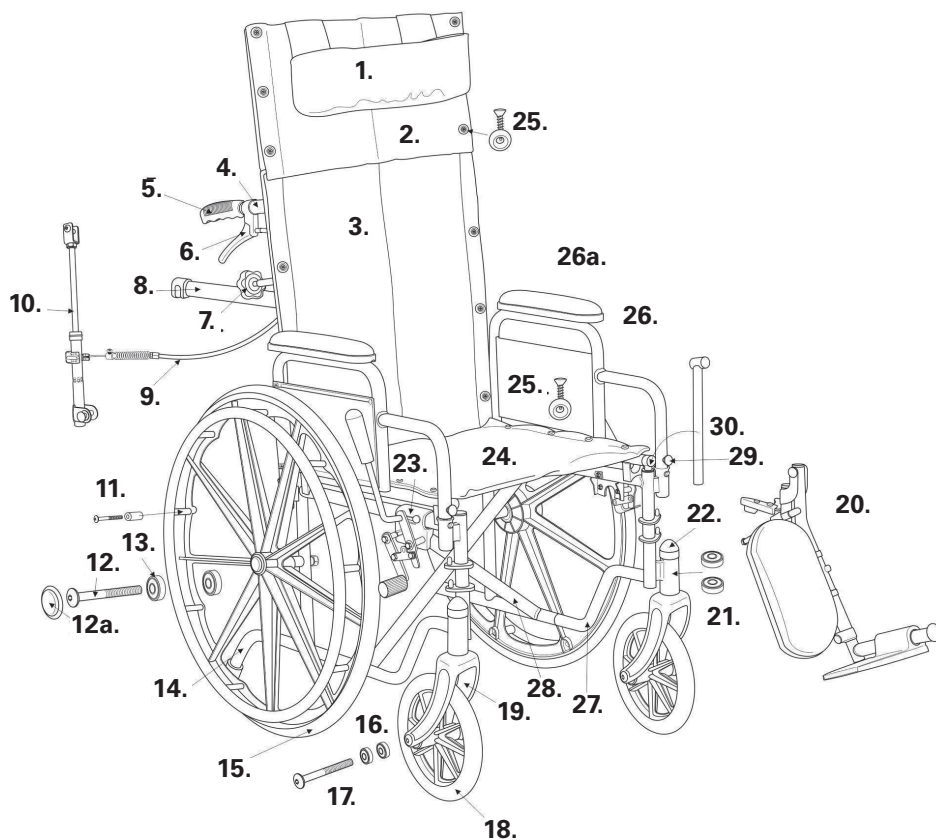


Direct Supply® Panacea® Reclining Wheelchair Illustrated Parts List

**DIRECT
SUPPLY®**
Panacea®



Replacement Parts for Direct Supply® Panacea® Reclining Wheelchair



Keep your wheelchairs rolling smoothly for years

We have the quality parts you need to help keep your chairs in great shape!

No matter what part needs to be replaced, you're sure to find the replacement within our thousands of options.

Call your account manager any time for assistance.

ARMREST/FOOTREST/HEADREST

- 2. **#A1856** Panacea Reclining Wheelchair Headrest, 16"
- 2. **#A1857** Panacea Reclining Wheelchair Headrest, 18"
- 2. **#A1858** Panacea Reclining Wheelchair Headrest, 20"
- 1. **#A1859** Panacea Reclining Wheelchair Headrest Pillow
- 20. **#A1868** Panacea Reclining Elevated Legrest, Pair
- 26. **#A2651** Panacea Reclining Wheelchair Desk Arm
- 26a. **#A1799** Panacea Desk Arm Pad
- 26a. **#A1800** Panacea Full Arm Pad

CASTERS

- 16. **#A1866** Panacea Reclining Wheelchair Caster Bearing
- 17. **#A2644** Panacea Reclining Wheelchair Caster Axle
- 18. **#A1864** Panacea Reclining Wheelchair Caster
- 21. **#A1869** Panacea Reclining Wheelchair Fork Stem Bearings
- 22. **#A1870** Panacea Reclining Wheelchair Dust Cap

FRAME

- 4. **#A1872** Panacea Reclining Wheelchair Backrest Cane
- 5. **#A2650** Panacea Reclining Wheelchair Handgrip
- 6. **#A1878** Panacea Reclining Wheelchair Release Handle/Cable, Right
- 7. **#A1873** Panacea Reclining Wheelchair Spreader Bar Knob
- 8. **#A2645** Panacea Reclining Wheelchair Spreader Bar, 16"
- 8. **#A2646** Panacea Reclining Wheelchair Spreader Bar, 18"
- 8. **#A2647** Panacea Reclining Wheelchair Spreader Bar, 20"
- 9. **#A1875** Panacea Reclining Wheelchair Cable
- 10. **#A1876** Panacea Reclining Wheelchair Reclining Piston, Right
- 10. **#A1877** Panacea Reclining Wheelchair Reclining Piston, Left
- 14. **#A1867** Panacea Reclining Wheelchair Anti-Tippers
- 19. **#A2648** Panacea Reclining Wheelchair Fork
- 27. **#A2649** Panacea Reclining Wheelchair Side Frame
- 28. **#A3600** Panacea Reclining Wheelchair Cross Frame, 16"
- 28. **#A3601** Panacea Reclining Wheelchair Cross Frame, 18"
- 28. **#A3602** Panacea Reclining Wheelchair Cross Frame, 20"
- 29. **#A1874** Panacea Reclining Flip Lock-Arm Release
- 30. **#A1871** Panacea Reclining Wheelchair Slide Tube

UPHOLSTERY

- 3. **#A1853** Panacea Reclining Wheelchair Back Upholstery, 16"
- 3. **#A1854** Panacea Reclining Wheelchair Back Upholstery, 18"
- 3. **#A1855** Panacea Reclining Wheelchair Back Upholstery, 20"
- 24. **#A1850** Panacea Reclining Wheelchair Seat Upholstery, 16"
- 24. **#A1851** Panacea Reclining Wheelchair Seat Upholstery, 18"
- 24. **#A1852** Panacea Reclining Wheelchair Seat Upholstery, 20"
- 25. **#A2580** Panacea Standard, Reclining Wheelchair Upholstery Screw for Back

WHEELS

- 23. **#A1860** Panacea Reclining Wheelchair Wheel Lock, Right
- 23. **#A1861** Panacea Reclining Wheelchair Wheel Lock, Left
- 11. **#A1788** Panacea Wheelchair Handrim Screws & Spacers, Set of 9 (Not for Heavy Duty)
- 12a. **#A1862** Panacea Reclining Wheelchair Hub Cap
- 13. **#A1863** Panacea Reclining Wheelchair Rear Bearing, Set of 4
- 15. **#A1865** Panacea Reclining Wheelchair Rear Wheel
- 12. **#A2643** Panacea Reclining Wheelchair Rear Axle Bolt