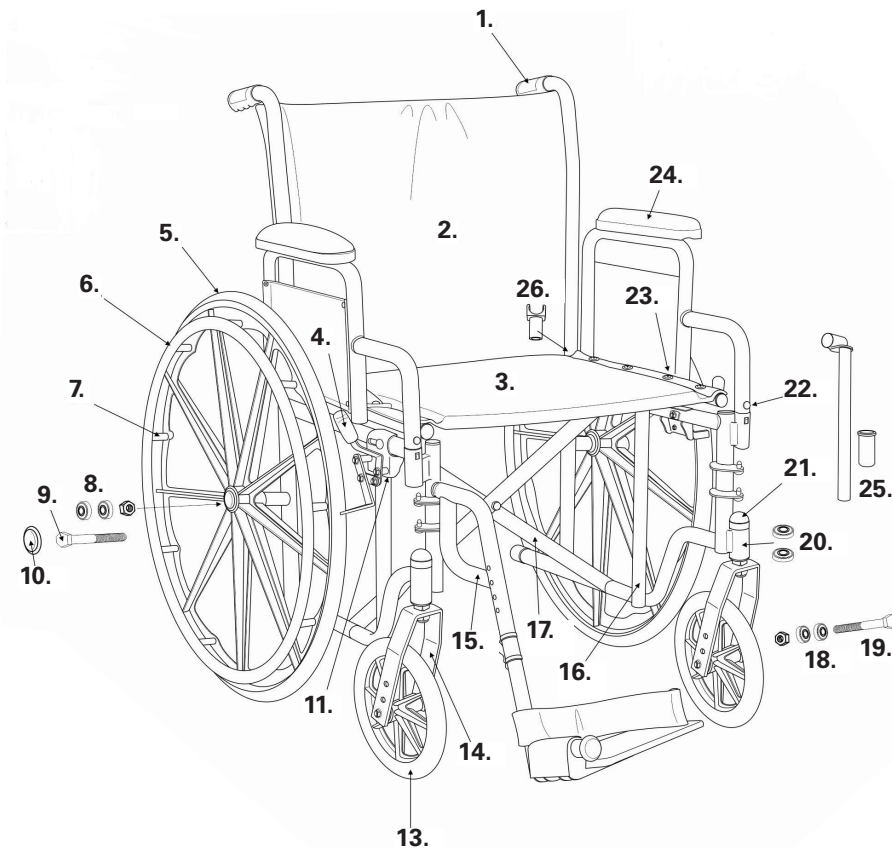


# Direct Supply® Panacea® Standard Wheelchair Illustrated Parts List



## Replacement Parts for Direct Supply® Panacea® Standard Wheelchair



### Keep your wheelchairs rolling smoothly for years

We have the quality parts you need to help keep your chairs in great shape!

No matter what part needs to be replaced, you're sure to find the replacement within our thousands of options.

*Call your account manager any time for assistance.*

#### ARMREST

- 9. #A2584 Panacea Standard Wheelchair Rear Axle Bolt Fixed Arm
- 9. #A2585 Panacea Standard, Lightweight Wheelchair Rear Axle Bolt Detachable Arm
- 22. #A1803 Panacea Standard Wheelchair Arm Release Button
- 24. #A1799 Panacea Desk Arm Pad
- 24. #A1800 Panacea Full Arm Pad
- 24. #A2594 Panacea Standard Wheelchair Desk-Length Arm
- 24. #A2595 Panacea Standard Wheelchair Full-Length Arm
- 26. #A1801 Panacea Standard Wheelchair Seat Rail Guide Fixed Arm, Front
- 26. #A1802 Panacea Standard, Heavy-Duty Wide Wheelchair Seat Rail Guide Detach Arm, Rear

#### CASTER

- 13. #A1798 Panacea Standard, Lightweight, XLT Lightweight Wheelchair Caster
- 18. #A1790 Panacea Wheelchair Caster Bearings, Pack of 4 (Not for Reclining)
- 19. #A2586 Panacea Standard, Lightweight, XLT Lightweight, Heavy-Duty Extra-Wide Wheelchair Front Axle Bolt
- 20. #A2587 Panacea Standard, Lightweight, XLT Lightweight, Heavy-Duty Extra-Wide Wheelchair Fork Stem Bearings
- 21. #A1791 Panacea Standard, Lightweight, XLT Lightweight Wheelchair Fork Stem Cap

#### FOOTREST

- 15. #A1804 Panacea Standard, Lightweight, XLT Lightweight, Reclining Wheelchair Footrest

#### FRAME

- 1. #A2593 Panacea Standard Wheelchair Handgrip
- 16. #A3592 Panacea Standard Wheelchair Detachable Right Side Frame
- 16. #A3593 Panacea Standard Wheelchair Detachable Left Side Frame
- 16. #A3594 Panacea Standard Wheelchair Fixed Right Side Frame
- 16. #A3595 Panacea Standard Wheelchair Fixed Left Side Frame
- 16. #A3596 Panacea Standard Wheelchair Detachable Right Side Frame
- 16. #A3597 Panacea Standard Wheelchair Detachable Left Side Frame
- 16. #A3598 Panacea Standard Wheelchair Fixed Right Side Frame
- 16. #A3599 Panacea Standard Wheelchair Fixed Left Side Frame
- 17. #A2588 Panacea Standard Wheelchair Cross Frame, 16"
- 17. #A2589 Panacea Standard Wheelchair Cross Frame, 18"
- 17. #A2590 Panacea Standard Wheelchair Cross Frame, 20"
- 14. #A2592 Panacea Standard, Lightweight, XLT Wheelchair Lightweight Fork
- 25. #A1797 Panacea Standard Wheelchair Slide Tube & Bushing

#### UPHOLSTERY

- 2. #A1781 Panacea Standard Wheelchair Back Upholstery, 16"
- 2. #A1782 Panacea Standard Wheelchair Back Upholstery, 18"
- 2. #A1783 Panacea Standard Wheelchair Back Upholstery, 20"
- 3. #A1784 Panacea Standard Wheelchair Seat Upholstery, 16"

#### UPHOLSTERY (continued)

- 3. #A1785 Panacea Standard Wheelchair Seat Upholstery, 18"
- 3. #A1786 Panacea Standard Wheelchair Seat Upholstery, 20"
- 23. #A2580 Panacea Standard, Reclining Wheelchair Upholstery Screw for Back
- 23. #A2581 Panacea Standard Wheelchair Upholstery Screw for Seat

#### WHEEL

- 4. #A1792 Panacea Wheelchair Brake Tip Sleeve (Not for Lightweight, Reclining)
- 5. #A1787 Panacea Standard, Lightweight Wheelchair Wheel Assembly, 24"
- 6. #A2582 Panacea Standard, Lightweight, XLT Lightweight Wheelchair Handrim
- 7. #A1788 Panacea Wheelchair Handrim Screws & Spacers, Set of 9 (Not for Heavy Duty)
- 8. #A1826 Panacea XLT Lightweight Wheelchair Rear Wheel Bearings 12 x 35, Set of 4
- 10. #A1789 Panacea Standard, Lightweight Wheelchair Hub Cap
- 11. #A1793 Panacea Standard Wheelchair Brake Assembly, Fixed Arm, Left
- 11. #A1794 Panacea Standard Wheelchair Brake Assembly, Fixed Arm, Right
- 11. #A1795 Panacea Standard, Lightweight Wheelchair Brake Assembly, Detachable Arm, Left
- 11. #A1796 Panacea Standard, Lightweight Wheelchair Brake Assembly, Detachable Arm, Right