



Parts List

Joerns® Bed Frames

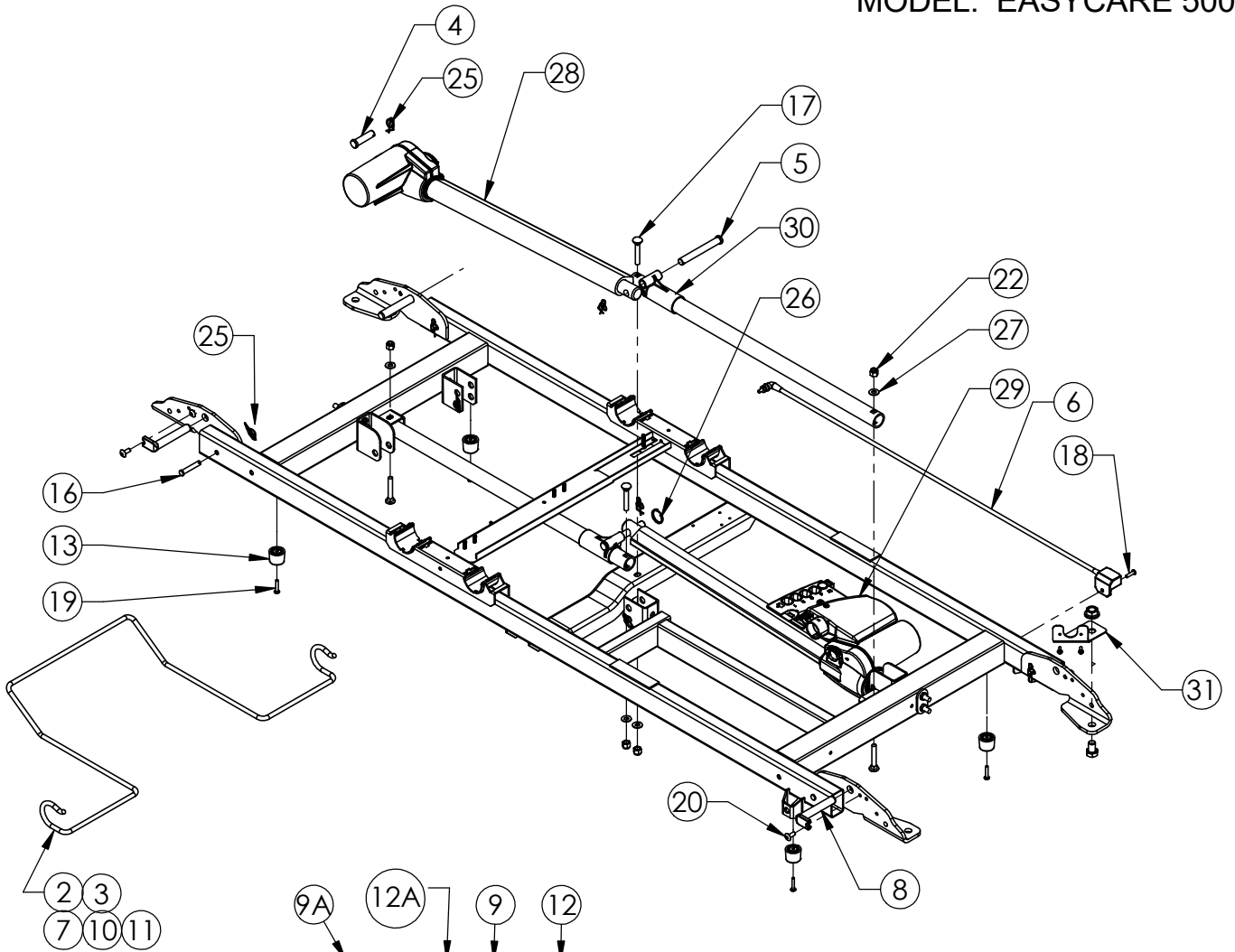
EasyCare®

(For 500 lb 2013-Dec 2023 and 600 lb 2016-Dec 2023)

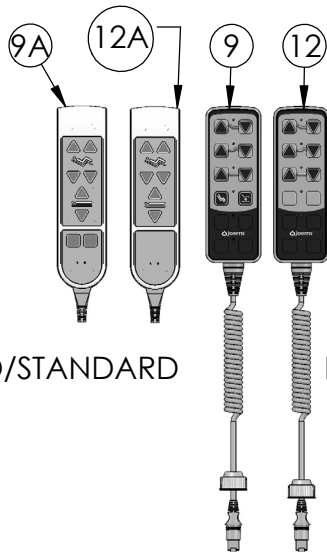
To avoid injury, read user's manual before using.



FRAME COMPONENTS
76" AND 80" VERSION
MODEL: EASYCARE 500



REPLACED
ADVANCED/STANDARD
PENDANTS

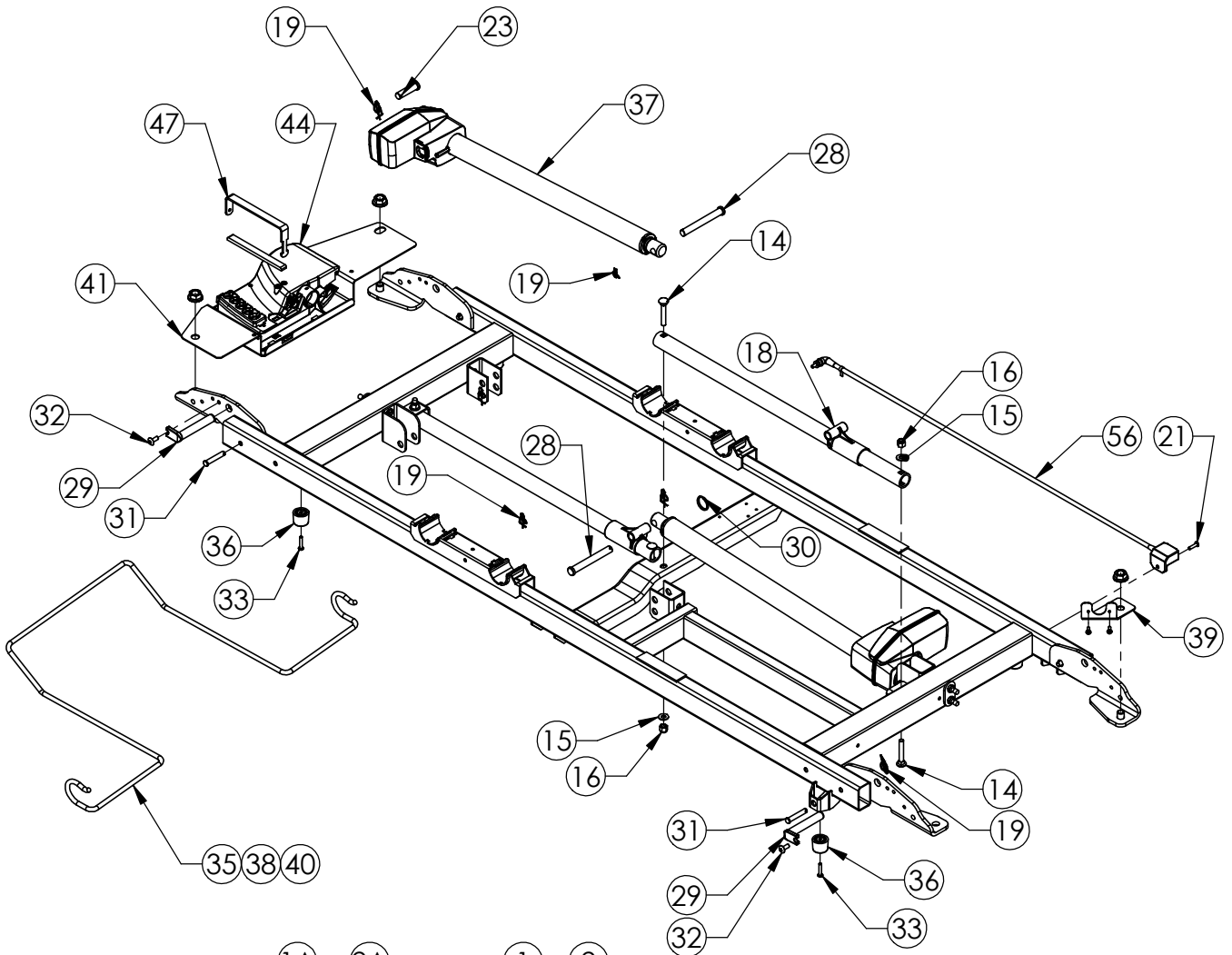


NEW ADVANCED/STANDARD PENDANTS

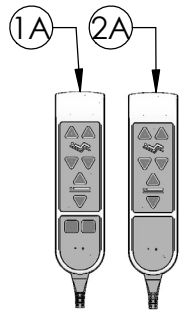
**FRAME COMPONENTS
76" AND 80" VERSION
MODEL: EASYCARE 500**

ITEM NO.	PART NUMBER	DESCRIPTION
NOT SHOWN	N511	KIT, BATTERY BACKUP (BATTERY, CHARGER, HARDWARE)
NOT SHOWN	6110158	MANUAL, USER, EASYCARE
2	11011866AL	BUMPER, WALL, 15 3/4" (FITS 80" BED W/ ADVANCED CONTROLS, 4 DEGREE TRT)
3	11011899AL	BUMPER, WALL, 18 3/4" (FITS 76" BED W/ ADVANCED CONTROLS 12 DEGREE TRT)
4	11012238	PIN, SLEEP SURFACE PIVOT (INCLUDED WITH ACTUATOR KIT)
5	11012361	PIVOT PIN, LEG/ACTUATOR (INCLUDED WITH ACTUATOR KIT)
6	11012449	CORD, PATCH, BATTERY PACK
7	11012608AL	BUMPER, WALL, 22 1/4" (FITS 80" BED W/ ADVANCED CONTROLS, 12 DEGREE TRT)
8	11012662	PIN, STABILIZER PIVOT
9	11017333	PENDANT, ADVANCED, W/ HOOK
9A	11012840	PENDANT, ADVANCED
10	11012851AL	BUMPER, WALL, 13 3/4" (FITS 80" BED W/ STANDARD CONTROLS OR 76" BED W/ ADVANCED CONTROLS, 4 DEGREE TRT)
11	11012852AL	BUMPER, WALL, 10 1/4" (FITS 76" BED W/ STANDARD CONTROLS)
12	11017334	PENDANT, STANDARD, W/ HOOK
12A	11012990	PENDANT, STANDARD
13	11013253	BUMPER STOP
16	11014747	PIN, PANEL MOUNTING
17	12523159	BOLT, CARRIAGE, 5/16-18 X 2"
18	12551017	SCREW, THREAD FORMING, #10-32 X 3/4"
19	12551030	SCREW, THREAD FORMING, #10-24 X 1"
20	12552592	SCREW, THREAD FORMING, 1/4-20 X 5/8"
22	12673105	NUT, LOCK, 5/16-18
25	12800032	PIN, LOCKING COTTER (INCLUDED WITH ACTUATOR KIT)
26	12809807	RING, KICKOUT (INCLUDED WITH ACTUATOR KIT)
27	12847531	WASHER, 5/16" I.D.
28	39000968	KIT, ACTUATOR, HI/LO (ONE ACTUATOR, TWO HI-LO GLIDES AND ATTACHING HARDWARE)
29	39000967	KIT, CONTROL BOX (CONTROL BOX ONLY)
NOT SHOWN	39000974	KIT, POWER CORD, CLASS 1 (POWER CORD AND CABLE TIES)
NOT SHOWN	39000975	KIT, POWER CORD, CLASS 2 (POWER CORD AND CABLE TIES)
30	39001070	KIT, REPLACEMENT, HI-LO GLIDE (TWO HI-LO GLIDES AND ATTACHING HARDWARE)
31	39001704	KIT, BRACKET, STAFF CONTROL HARNESS (BRACKET AND HARDWARE)

FRAME COMPONENTS
80" VERSION
MODEL: EASYCARE 600



REPLACED
ADVANCED/STANDARD
PENDANTS



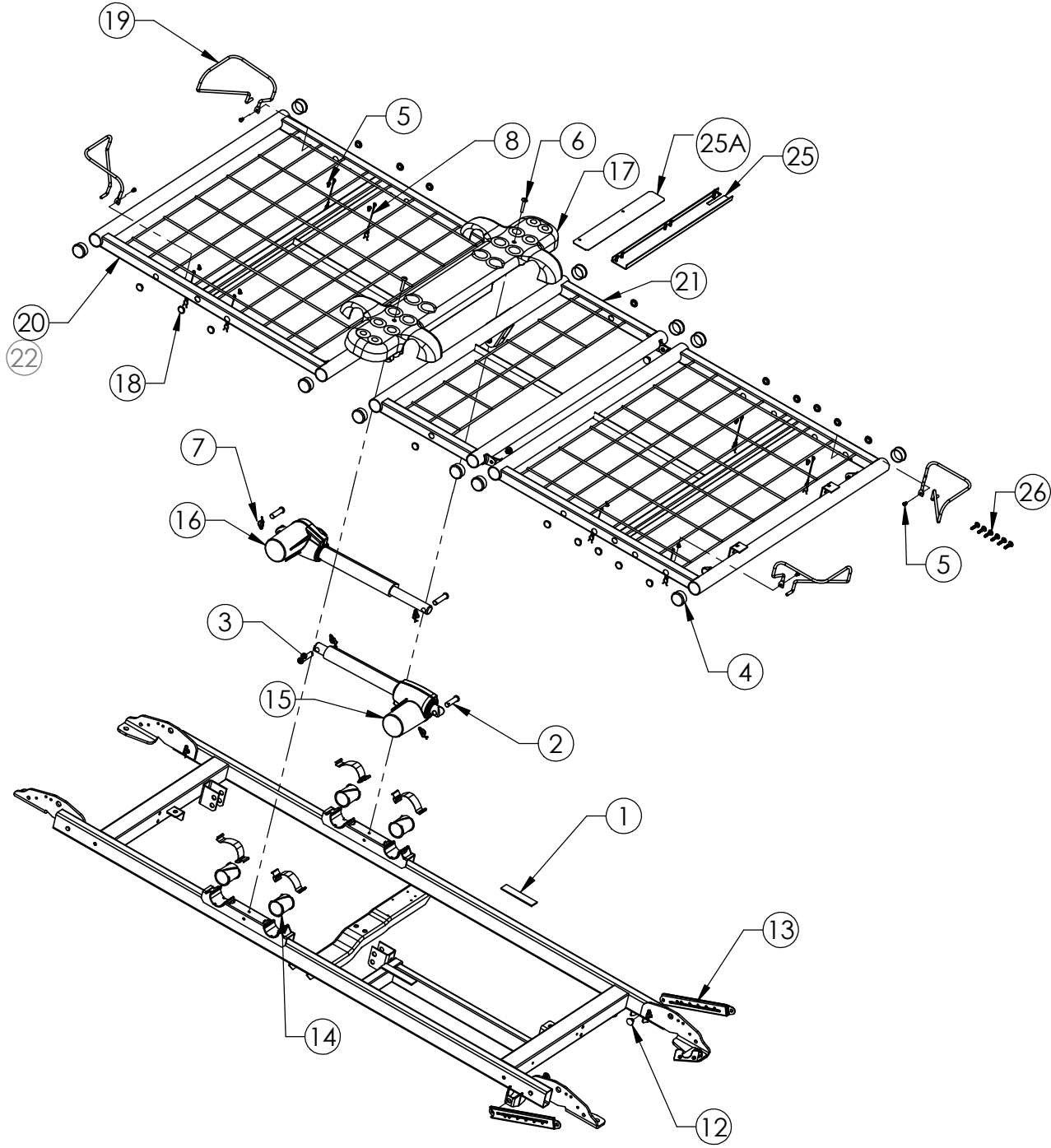
NEW ADVANCED/STANDARD PENDANTS



FRAME COMPONENTS
80" VERSION
MODEL: EASYCARE 600

ITEM NO.	PART NUMBER	DESCRIPTION
NOT SHOWN	N511	KIT, BATTERY BACKUP (BATTERY, CHARGER, HARDWARE)
NOT SHOWN	6110345	MANUAL, USER, EASYCARE 600
35	11011866AL	BUMPER, WALL, 15 3/4" (FITS 80" BED W/ ADVANCED CONTROLS, 4 DEGREE TRT)
38	11012851AL	BUMPER, WALL, 13 3/4" (FITS 80" BED W/ STANDARD CONTROLS OR 76" BED W/ ADVANCED CONTROLS, 4 DEGREE TRT)
40	11012608AL	BUMPER, WALL, 22 1/4" (FITS 80" BED W/ ADVANCED CONTROLS, 12 DEGREE TRT)
1	11017333	PENDANT, ADVANCED, W/ HOOK
1A	11012840	PENDANT, ADVANCED
2	11017334	PENDANT, STANDARD, W/ HOOK
2A	11012990	PENDANT, STANDARD
23	11012238	PIN, SLEEP SURFACE PIVOT
31	11014747	PIN, PANEL MOUNTING
19	12800032	PIN, LOCKING COTTER (INCLUDED WITH ACTUATOR KITS)
28	11012361	PIVOT PIN, LEG/ACTUATOR
30	12809807	RING, KICKOUT
29	11012662	PIN, STABILIZER PIVOT
32	12552592	SCREW, THREAD FORMING, 1/4-20 X 5/8"
36	11013253	BUMPER, STOP
33	12551030	SCREW, THREAD FORMING, #10-24 X 1"
14	12523159	BOLT, CARRIAGE, 5/16-18 X 2"
16	12673105	NUT, LOCK, 5/16-18
15	12847531	WASHER, 5/16" I.D.
18	39001070	KIT, REPLACEMENT, HI-LO GLIDE (TWO HI-LO GLIDES AND ATTACHING HARDWARE)
56	39001721	KIT, CORD, PATCH, BATTERY PACK (CABLE AND HARDWARE)
20	12551017	SCREW, THREAD FORMING, #10-32 X 3/4"
NOT SHOWN	39001713	KIT, POWER CORD, CLASS I (POWER CORD AND CABLE TIES)
NOT SHOWN	39001714	KIT, POWER CORD, CLASS II (POWER CORD AND CABLE TIES)
44	39001702	KIT, CONTROL BOX (CONTROL BOX AND HARDWARE)
41	39001700AL	KIT, SUPPORT BRACKET, CONTROLLER (BRACKET AND HARDWARE)
47	39001701	KIT, RETAINER STRAP, CONTROLLER (STRAP, FOAM STRIP, AND HARDWARE)
39	39001704	KIT, BRACKET, STAFF CONTROL HARNESS (BRACKET AND HARDWARE)
NOT SHOWN	39001705	KIT, CABLE, HEAD END HI-LO ACTUATOR (CABLE AND HARDWARE)
NOT SHOWN	39001706	KIT, CABLE, FOOT END HI-LO ACTUATOR (CABLE AND HARDWARE)
37	39001722	KIT, HI-LO ACTUATOR (ONE HI-LO ACTUATOR AND HARDWARE)

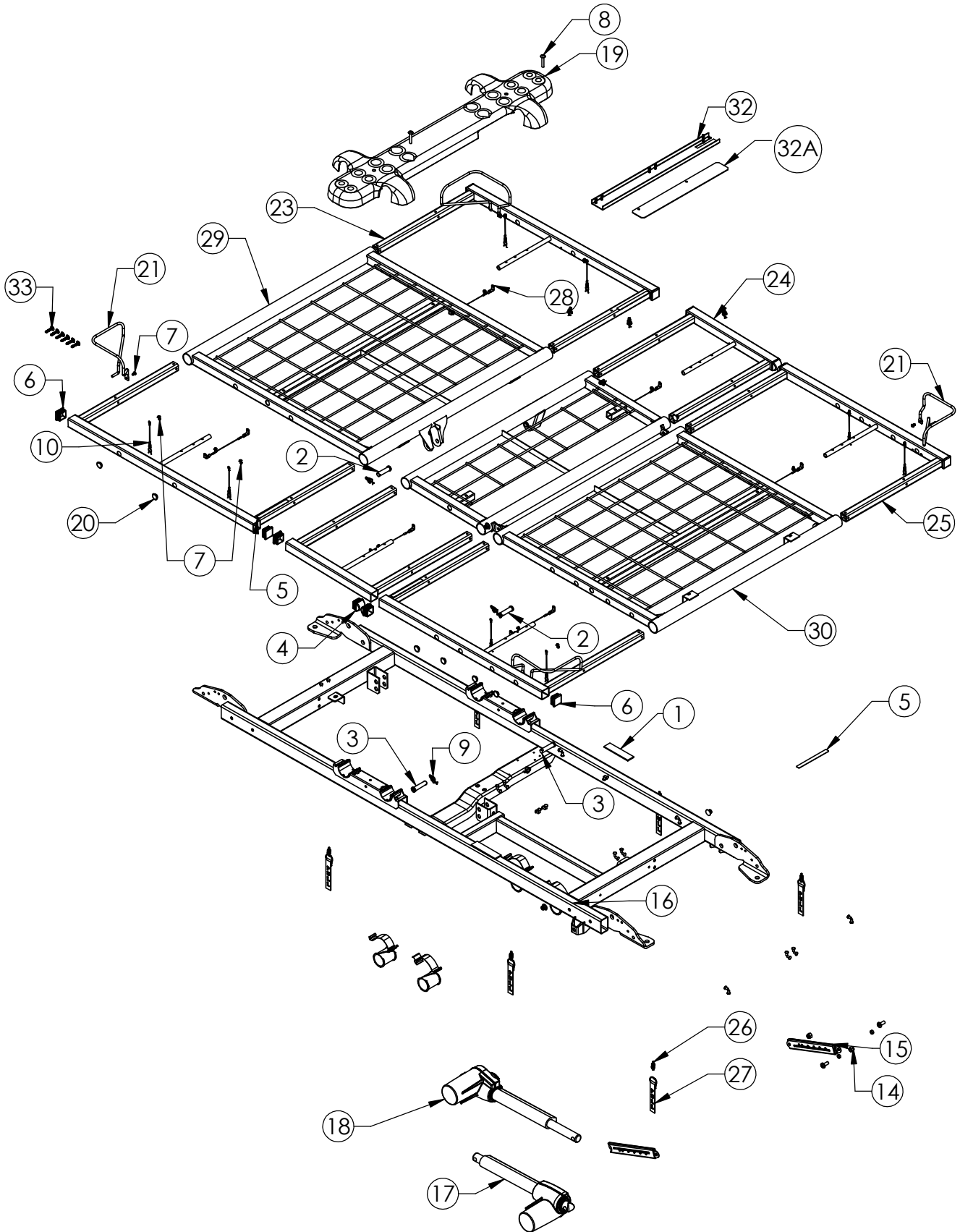
MATTRESS SUPPORT
35" FIXED WIDTH
76" AND 80" VERSION
MODELS: EASYCARE 500



**MATTRESS SUPPORT
35" FIXED WIDTH
76" AND 80" VERSION
MODEL: EASYCARE 500**

ITEM NO.	PART NUMBER	DESCRIPTION
1	11011331	PAD, STOP, KNEE/LEG
2	11012238	PIN, SLEEP SURFACE PIVOT
3	11014113	PIN, CLEVIS, 12mm X 1.8"
4	12470474	CAP, TUBE, 1.5" DIA.
5	12551013	SCREW, 10-32 X 3/8" PPHTFS
6	12552590	SCREW, 1/4-20 X 1-1/2"
7	12800032	PIN, LOCKING COTTER (INCLUDED WITH ACTUATOR KITS)
8	24005271	CLIP ASSEMBLY, SIDE RAIL
12	39000052	KIT, RIVET REPLACEMENT (REPLACES TWO RIVETS)
13	39000794	KIT, FOOT, LEVELER, GATCH (ONE GATCH LEVER AND ATTACHING HARDWARE)
14	39000802	KIT, MATTRESS DECK BEARING (SPRING CLIPS AND BEARINGS FOR BOTH SIDES)
15	39000972	KIT, ACTUATOR, BACK (ACTUATOR AND ATTACHING HARDWARE)
16	39000973	KIT, ACTUATOR, KNEE (ACTUATOR AND ATTACHING HARDWARE)
17	39000980	KIT, SEAT PAN, SOFT TONE (SEAT PAN AND ATTACHING HARDWARE)
18	39001159	KIT, SIDE RAIL PLUGS (16 PLUGS)
19	39001317	KIT, SET, MATTRESS RETAINER (FOUR RETAINERS AND ATTACHING HARDWARE)
20	39001707	KIT, 80" BACK SECTION, FIXED WIDTH (COMPLETE BACK SECTION w/ ALL HARDWARE)
21	39001760	KIT, KNEE/FOOT SECTION, FIXED WIDTH (COMPLETE KNEE/FOOT SECTIONS w/ ALL HARDWARE)
22	39001841	KIT, 76" BACK SECTION, FIXED WIDTH (COMPLETE BACK SECTION w/ ALL HARDWARE)
NOT SHOWN	39001051	KIT, CONTROL HARNESS (CONTROL HARNESS AND ATTACHING HARDWARE)
25	39002013	KIT, SEAT PAN SUPPORT (BRACKET, HARDWARE, INSTRUCTIONS)
25A	11013002AL	COVER, SEAT PAN
26	39002020	KIT, MATTRESS RETAINER PUSH RIVET, 6 PC (TO REPLACE ITEM #5 IF HOLE IS STRIPPED OR SCREW IS UNUSABLE)

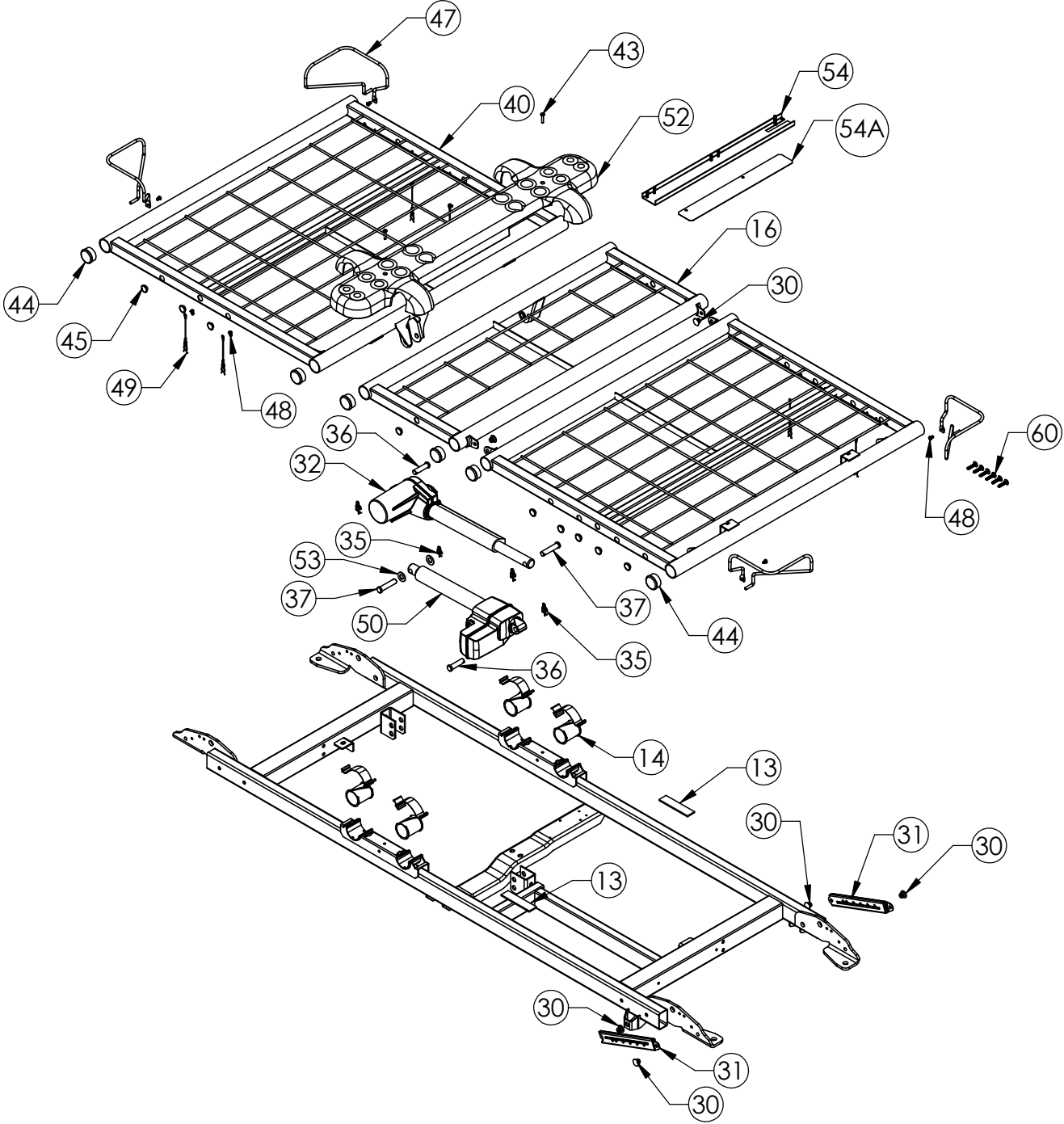
MATTRESS SUPPORT
INTEGRATED WIDTH
80" VERSION
MODEL: EASYCARE 500



**MATTRESS SUPPORT
INTEGRATED WIDTH
80" VERSION
MODEL: EASYCARE 500**

ITEM NO.	PART NUMBER	DESCRIPTION
1	11011331	PAD, STOP, KNEE/LEG
2	11012238	PIN, SLEEP SURFACE PIVOT (INCLUDED WITH ACTUATOR KITS)
3	11014113	PIN, CLEVIS, 12mm X 1.8" (INCLUDED WITH ACTUATOR KITS)
4	11014727	PLUG, DOMED, TUBE
5	11014734	LABEL, INDEXING
6	12470477	CAP, 1 1/4"
7	12551013	SCREW, 10-32 X 3/8, PPHTFS
8	12552590	SCREW, THREAD FORMING, 1/4-20 X 1 1/2"
9	12800032	PIN, LOCKING COTTER (INCLUDED WITH ACTUATOR KITS)
10	24005271	CLIP ASSEMBLY, SIDE RAIL
14	39000052	KIT, RIVET, REPLACEMENT (REPLACES TWO RIVETS)
15	39000794	KIT, FOOT, LEVELER, GATCH (ONE GATCH LEVER AND ATTACHING HARDWARE)
16	39000802	KIT, MATTRESS DECK BEARING (SPRING CLIPS AND BEARINGS FOR BOTH SIDES)
17	39000972	KIT, ACTUATOR, BACK (ACTUATOR AND ATTACHING HARDWARE)
18	39000973	KIT, ACTUATOR, KNEE (ACTUATOR AND ATTACHING HARDWARE)
19	39000980	KIT, SEAT PAN, SOFT TONE (SEAT PAN AND ATTACHING HARDWARE)
20	39001159	KIT, SIDE RAIL PLUGS (16 PLUGS)
21	39001317	KIT, SET, MATTRESS RETAINER (FOUR RETAINERS AND ATTACHING HARDWARE)
NOT SHOWN	39001372	KIT, TETHER AND HARDWARE (FOR PRE-2015 BEDS) (SIX WIRE TETHERS AND ATTACHING HARDWARE)
23	39001373AL	KIT, BACK SECTION, SLIDE OUT EXTENSION (EXTENSIONS FOR BOTH SIDES)
24	39001374AL	KIT, KNEE SECTION, SLIDE OUT EXTENSION (EXTENSIONS FOR BOTH SIDES)
25	39001375AL	KIT, FOOT SECTION, SLIDE OUT EXTENSION (EXTENSIONS FOR BOTH SIDES)
26	11015773	PIN, SPRING PLUNGER
27	11015774	TETHER, PULL
28	39001470	KIT, TETHER AND HARDWARE (SIX WIRE TETHERS AND ATTACHING HARDWARE)
29	39001715	KIT, BACK SECTION (COMPLETE BACK SECTION w/ EXTENSIONS AND ALL HARDWARE)
30	39001761	KIT, KNEE/ FOOT SECTION (COMPLETE KNEE/FOOT SECTIONS w/ EXTENSIONS AND ALL HARDWARE)
NOT SHOWN	39001051	KIT, CONTROL HARNESS (CONTROL HARNESS AND ATTACHING HARDWARE)
32	39002013	KIT, SEAT PAN SUPPORT (BRACKET, HARDWARE, INSTRUCTIONS)
32A	11013002AL	COVER, SEAT PAN
33	39002020	KIT, MATTRESS RETAINER PUSH RIVET, 6 PC (TO REPLACE ITEM #7 IF HOLE IS STRIPPED OR SCREW IS UNUSABLE)

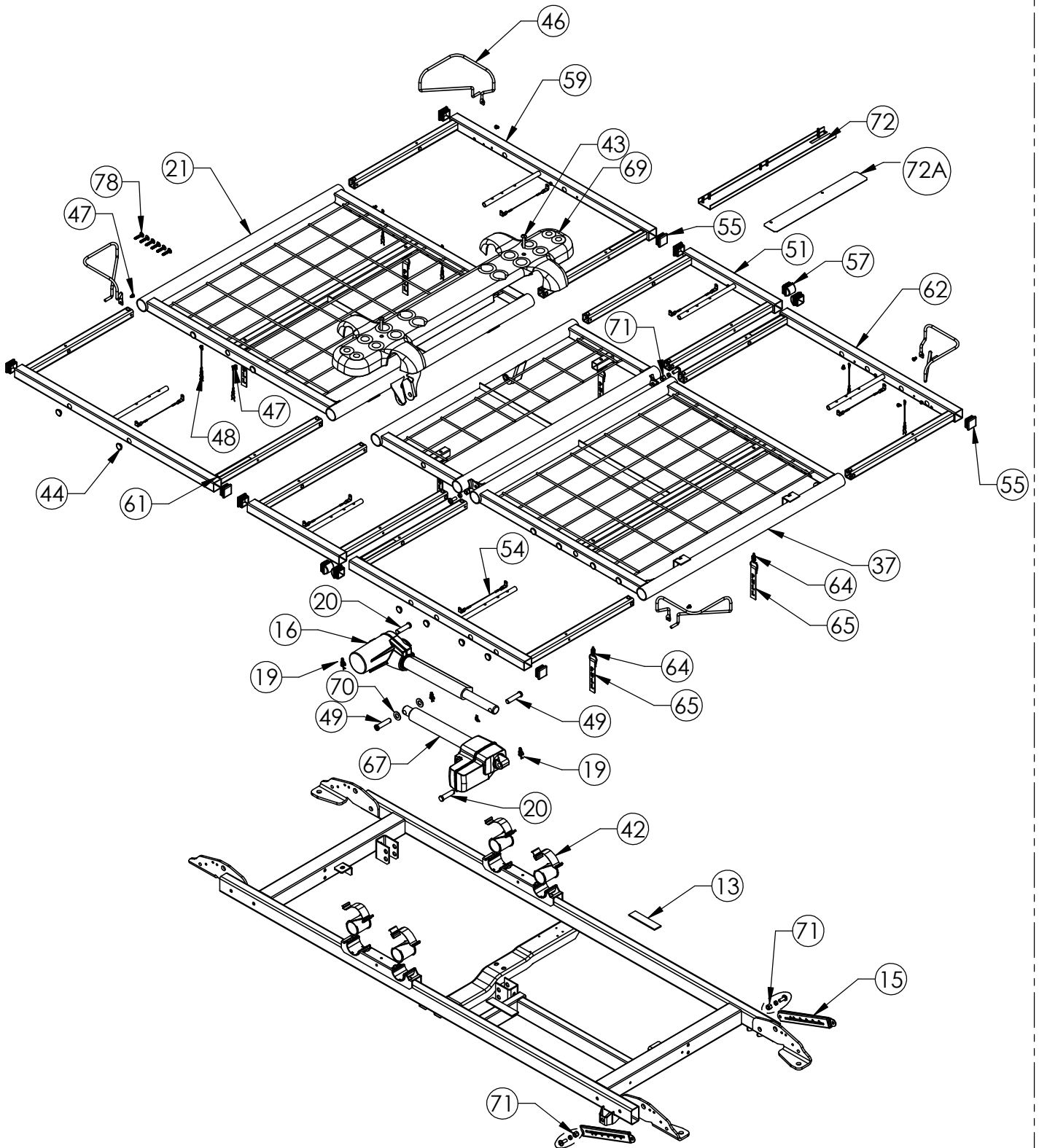
MATTRESS SUPPORT
35" FIXED WIDTH
80" VERSION
MODELS: EASYCARE 600



**MATTRESS SUPPORT
35" FIXED WIDTH
80" VERSION
MODELS: EASYCARE 600**

ITEM NO.	PART NUMBER	DESCRIPTION
13	11011331	PAD, STOP, KNEE/LEG
36	11012238	PIN, SLEEP SURFACE PIVOT
37	11014113	PIN, CLEVIS, 12mm X 1.8"
44	12470474	CAP, TUBE, 1.5" DIA.
43	12552590	SCREW, 1/4-20 X 1-1/2"
35	12800032	PIN, LOCKING COTTER (INCLUDED WITH ACTUATOR KITS)
49	24005271	CLIP ASSEMBLY, SIDE RAIL
30	39000052	KIT, RIVET REPLACEMENT (REPLACES TWO RIVETS)
31	39000794	KIT, FOOT, LEVELER, GATCH (ONE GATCH LEVER AND ATTACHING HARDWARE)
14	39000802	KIT, MATTRESS DECK BEARING (SPRING CLIPS AND BEARINGS FOR BOTH SIDES)
16	39001760	KIT, KNEE/FOOT SECTION, FIXED WIDTH (COMPLETE KNEE/FOOT SECTION w/ ALL HARDWARE)
50	39001718	KIT, ACTUATOR, BACK (ACTUATOR AND ATTACHING HARDWARE)
32	39000973	KIT, ACTUATOR, KNEE (ACTUATOR AND ATTACHING HARDWARE)
NOT SHOWN	39000980	KIT, SEAT PAN, SOFT TONE (SEAT PAN AND ATTACHING HARDWARE)
45	39001159	KIT, SIDE RAIL PLUGS (16 PLUGS)
47	39001317	KIT, SET, MATTRESS RETAINER (FOUR RETAINERS AND ATTACHING HARDWARE)
NOT SHOWN	39001719	KIT, MOTOR CABLE, BACK ACTUATOR (CABLE AND ATTACHING HARDWARE)
NOT SHOWN	39001720	KIT, MOTOR CABLE, KNEE ACTUATOR (CABLE AND ATTACHING HARDWARE)
48	12551013	SCREW, 10-32 X 3/8" (INCLUDED WITH MATTRESS RETAINER KIT)
53	904064-0	WASHER, NYLON, 1" OD x 1/2" ID
40	39001707	KIT, 80" BACK SECTION, FIXED WIDTH (COMPLETE BACK SECTION W/ ALL HARDWARE)
NOT SHOWN	39001703	KIT, CONTROL HARNESS (CONTROL HARNESS AND ATTACHING HARDWARE)
54	39002013	KIT, SEAT PAN SUPPORT (BRACKET, HARDWARE, INSTRUCTIONS)
54A	11013002AL	COVER, SEAT PAN
60	39002020	KIT, RIVET, PUSH-IN, NYLON, .197 HOLE, 1.12 L (REPLACE ITEM #48 IF HOLE IS STRIPPED OR SCREW IS NO LONGER USABLE)

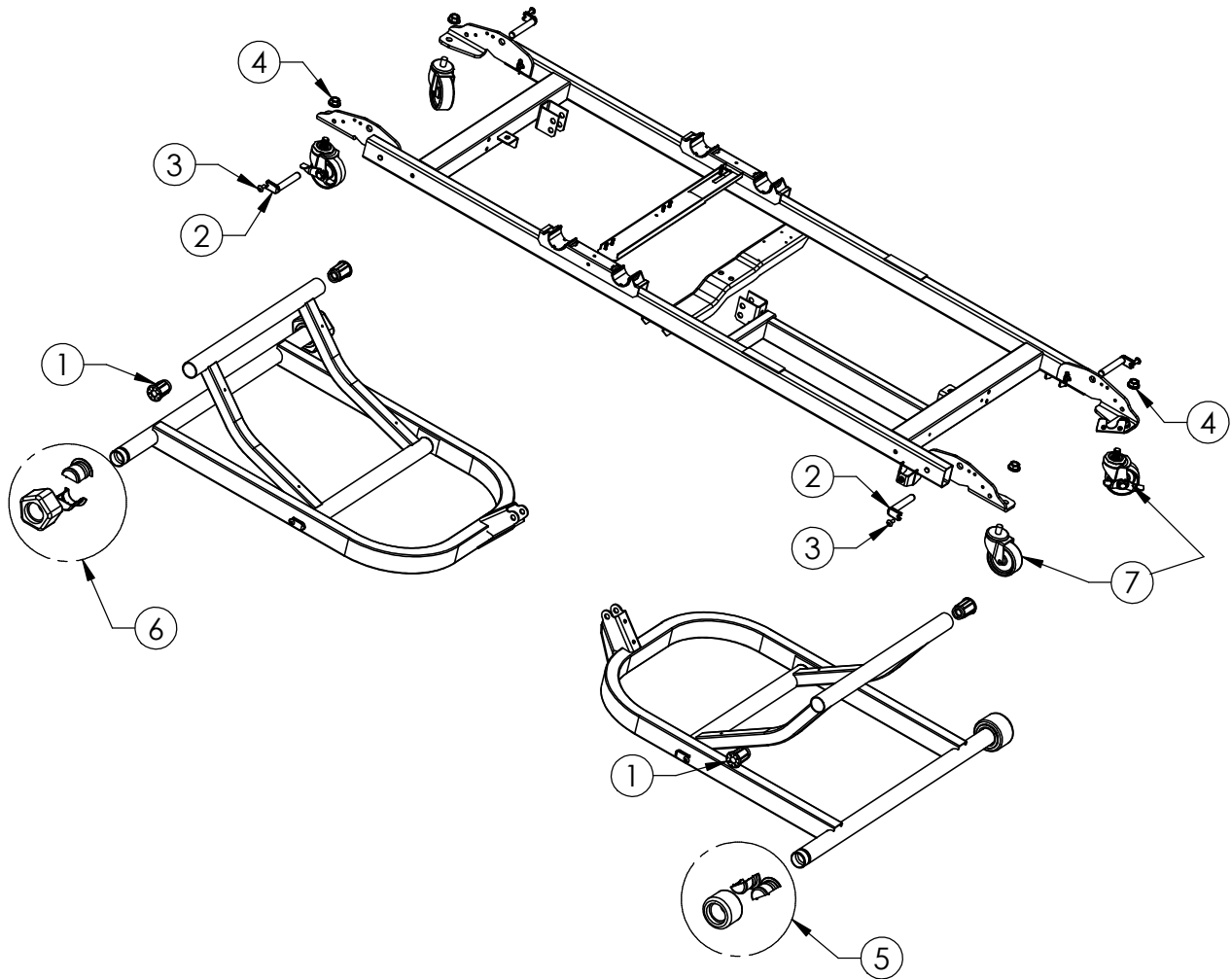
MATTRESS SUPPORT
INTEGRATED WIDTH
80" VERSION
MODEL: EASYCARE 600



**MATTRESS SUPPORT
INTEGRATED WIDTH
80" VERSION
MODEL: EASYCARE 600**

ITEM NO.	PART NUMBER	DESCRIPTION
13	11011331	PAD, STOP, KNEE/LEG
15	39000794	KIT, GATCH, FOOT LEVELER (ONE GATCH LEVER AND ATTACHING HARDWARE)
16	39000973	KIT, ACTUATOR, KNEE (ACTUATOR AND ATTACHING HARDWARE)
19	12800032	PIN, LOCKING COTTER (INCLUDED WITH ACTUATOR KITS)
20	11012238	PIN, SLEEP SURFACE PIVOT
21	39001715	KIT, BACK SECTION, INT. WIDTH (COMPLETE BACK SECTION, EXTENSIONS, ALL HDWE)
37	39001761	KIT, KNEE/FOOT SECTION, INT. WIDTH (COMPLETE KNEE/FOOT SECTION W/ EXTENSIONS AND ALL HARDWARE)
42	39000802	KIT, MATTRESS DECK BEARING (SPRING CLIPS AND BEARINGS FOR BOTH SIDES)
43	12552590	SCREW, THREAD FORMING, 1/4-20 x 1-1/2"
44	39001159	KIT, SIDE RAIL PLUGS (16 PLUGS)
46	39001317	KIT, MATTRESS RETAINER (FOUR RETAINERS AND ATTACHING HARDWARE)
47	12551013	SCREW, THREAD FORMING, #10-32 x 3/8" (INCLUDED W/ RETAINER KIT)
48	24005271	CLIP ASSEMBLY, SIDE RAIL
49	11014113	PIN, CLEVIS, 12mm x 1.8"
51	39001374AL	KIT, KNEE SECTION, SLIDE OUT EXTENSION (EXTENSIONS FOR BOTH SIDES)
54	39001470	KIT, TETHER (SIX WIRE TETHERS AND ATTACHING HARDWARE)
55	12470477	CAP, TUBE, 1-1/4"
57	11014727	PLUG, TUBE, DOMED
59	39001373AL	KIT, BACK SECTION, SLIDE OUT EXTENSION (EXTENSIONS FOR BOTH SIDES)
61	11014734	LABEL, INDEXING
62	39001375AL	KIT, FOOT SECTION, SLIDE OUT EXTENSION (EXTENSIONS FOR BOTH SIDES)
64	11015773	PIN, SPRING PLUNGER
65	11015774	TETHER, PULL STRAP
67	39001718	KIT, BACK ACTUATOR (ACTUATOR AND ATTACHING HARDWARE)
69	39000980	KIT, SEAT PAN (SEAT PAN AND ATTACHING HARDWARE)
70	904064-0	WASHER, NYLON, 1" OD x 1/2" ID
71	39000052	KIT, RIVET REPLACEMENT (REPLACES TWO RIVETS)
NOT SHOWN	39001719	KIT, CABLE, BACK ACTUATOR (ACTUATOR CABLE AND ATTACHING HARDWARE)
NOT SHOWN	39001720	KIT, CABLE, KNEE ACTUATOR (ACTUATOR CABLE AND ATTACHING HARDWARE)
NOT SHOWN	39001703	KIT, CONTROL HARNESS (CONTROL HARNESS AND ATTACHING HARDWARE)
72	39002013	KIT, SEAT PAN SUPPORT (BRACKET, HARDWARE, INSTRUCTIONS)
72A	11013002AL	COVER, SEAT PAN
78	39002020	KIT, RIVET, PUSH-IN, NYLON, .197 HOLE, 1.12 L (REPLACE ITEM #47 IF HOLE IS STRIPPED OR SCREW IS NO LONGER USABLE)

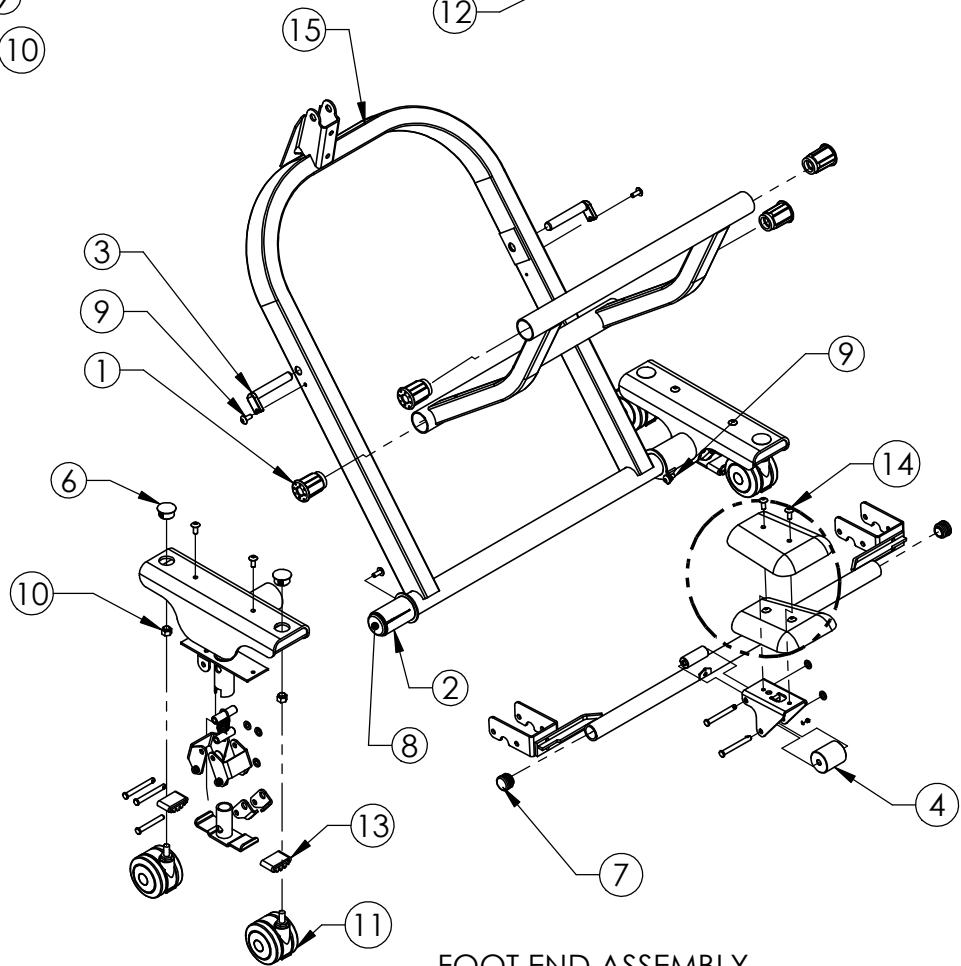
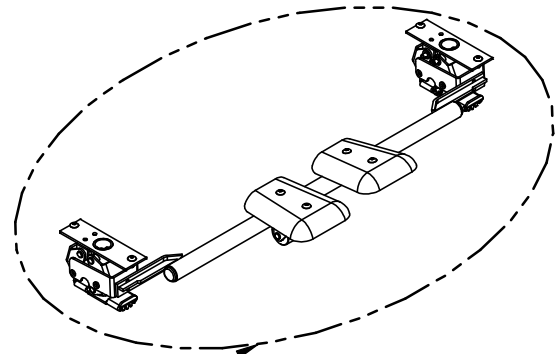
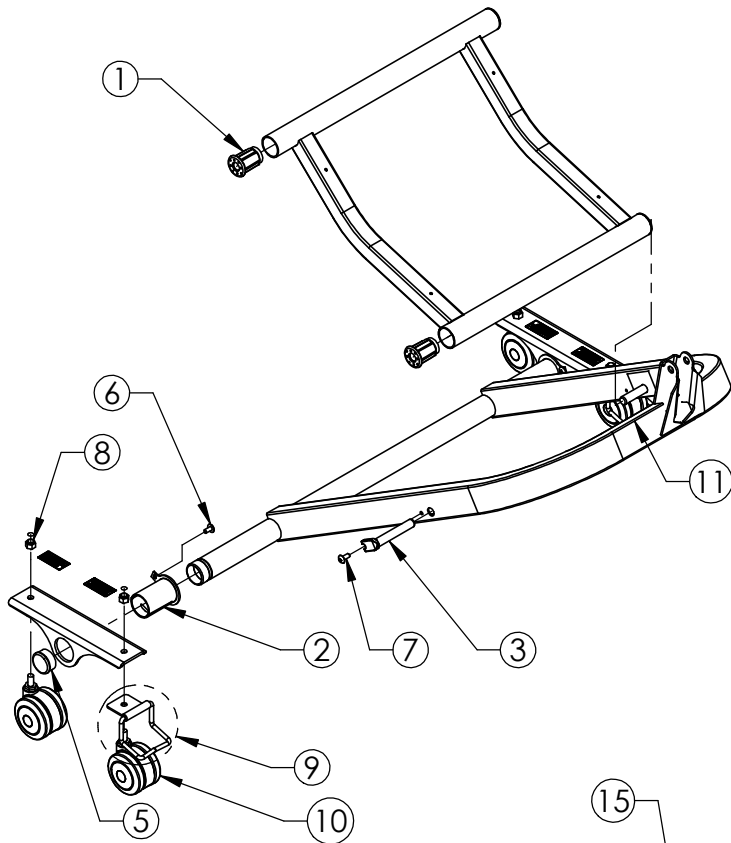
FRAME COMPONENTS
 ROLL IN LOW ONLY
 76" AND 80" VERSIONS
 MODELS: EASYCARE 500 and 600



ITEM NO.	PART NUMBER	DESCRIPTION
1	11011230	BUSHING, STABILIZER
2	11012662	PIN, STABILIZER PIVOT
3	12552592	SCREW, THREAD FORMING, 1/4-20 X 5/8"
4	12675024	NUT, 1/2-13 WHIZ LOCK
5	39000792	KIT, ROLLER HUB, ROUND (ONE HUB ASSEMBLY AND ONE ROLLER)
6	39000793	KIT, ROLLER HUB, PENTAGON (ONE HUB ASSEMBLY AND ONE PENTAGON)
7	39000874	KIT, CASTERS (FOUR CASTERS AND ATTACHING HARDWARE)

HEAD END ASSEMBLY

FRAME COMPONENTS
SAFETY LOCK
76" AND 80" VERSIONS
MODELS: EASYCARE 500 and 600



FOOT END ASSEMBLY

FRAME COMPONENTS
SAFETY LOCK
76" AND 80" VERSIONS
MODELS: EASYCARE 500 and 600

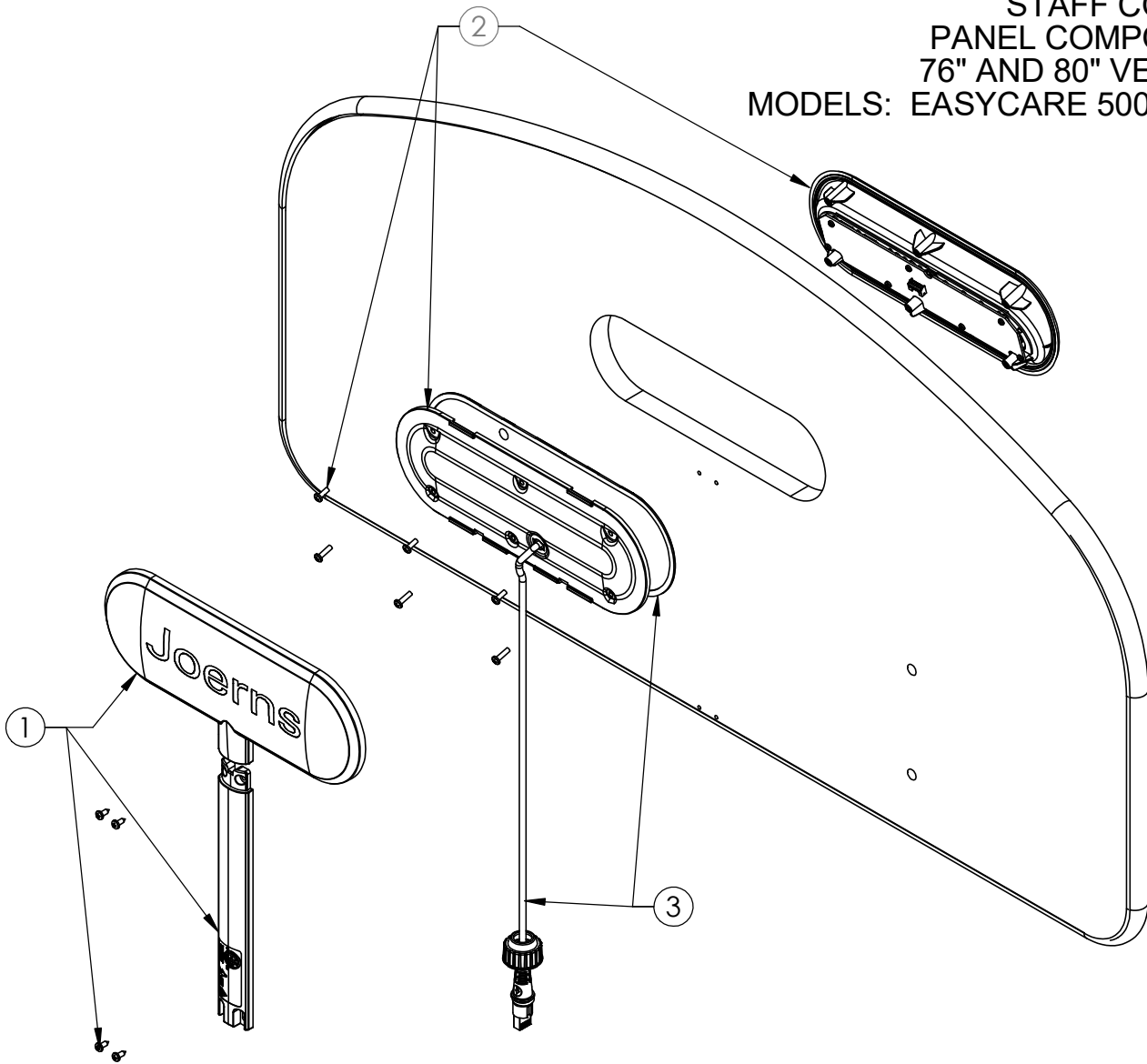
HEAD END ASSEMBLY

ITEM NO.	PART NUMBER	DESCRIPTION
1	11011230	BUSHING, STABILIZER
2	11012241	BEARING, GRIPLOCK
3	11012662	PIN, STABILIZER PIVOT
5	12470474	CAP, TUBE, 1 1/2" DIA.
6	12552586	SCREW, THREAD FORMING, 1/4-20 X 1/2"
7	12552592	SCREW, THREAD FORMING, 1/4-20 X 5/8"
8	12673718	NUT, LOCK, 3/8-16
9	31009115	ASSEMBLY, CASTER, STRAIGHT LINE
10	39001041	KIT, CASTER 3-INCH (ONE CASTER AND ATTACHING HARDWARE)
11	39001941	KIT, LEG ASSEMBLY, HEAD END

FOOT END ASSEMBLY

ITEM NO.	PART NUMBER	DESCRIPTION
1	11011230	BUSHING, STABILIZER
2	11012241	BEARING, GRIPLOCK
3	11012662	PIN, STABILIZER PIVOT
4	39001378	KIT, SPRING AND ROLLER (SPRING AND ROLLER)
6	12470037	1" DIA. HOLE PLUG
7	12470472	CAP, TUBE, 1.125" DIA.
8	12470474	CAP, TUBE, 1.5" DIA.
9	12552592	SCREW, THREAD FORMING 1/4-20 X 5/8"
10	12673718	NUT, LOCK, 3/8-16
11	39001041	KIT, CASTER, 3-INCH (ONE CASTER AND ATTACHING HARDWARE)
12	39001371AL	KIT, CARELOCK SUBASSEMBLY (FULL SUBASSEMBLY INCLUDING PEDALS, GRIP PADS, SPRING AND ROLLER, AND ATTACHING HARDWARE)
13	39001376	KIT, PAD, GRIPS (FOUR GRIP PADS)
14	39001377	KIT, FLOOR LOCK, PEDALS (BOTH PEDALS AND ATTACHING HARDWARE)
15	39001940	KIT, LEG ASSEMBLY, FOOT END

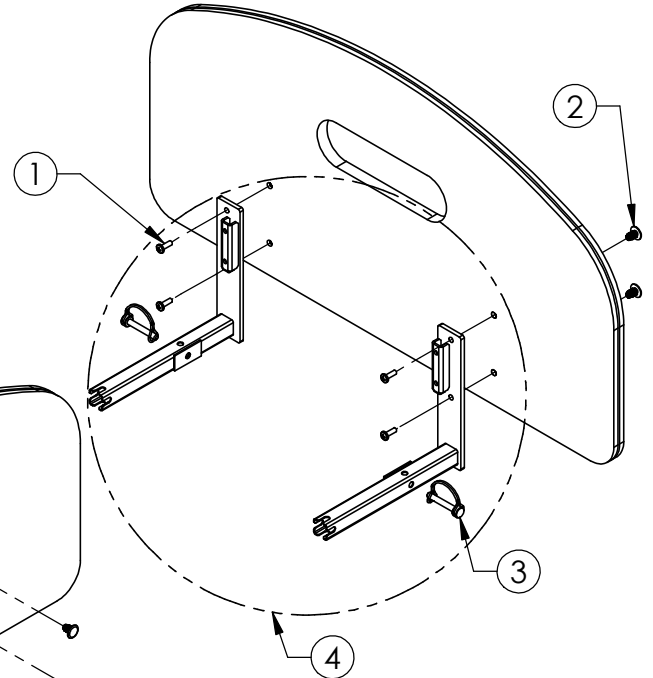
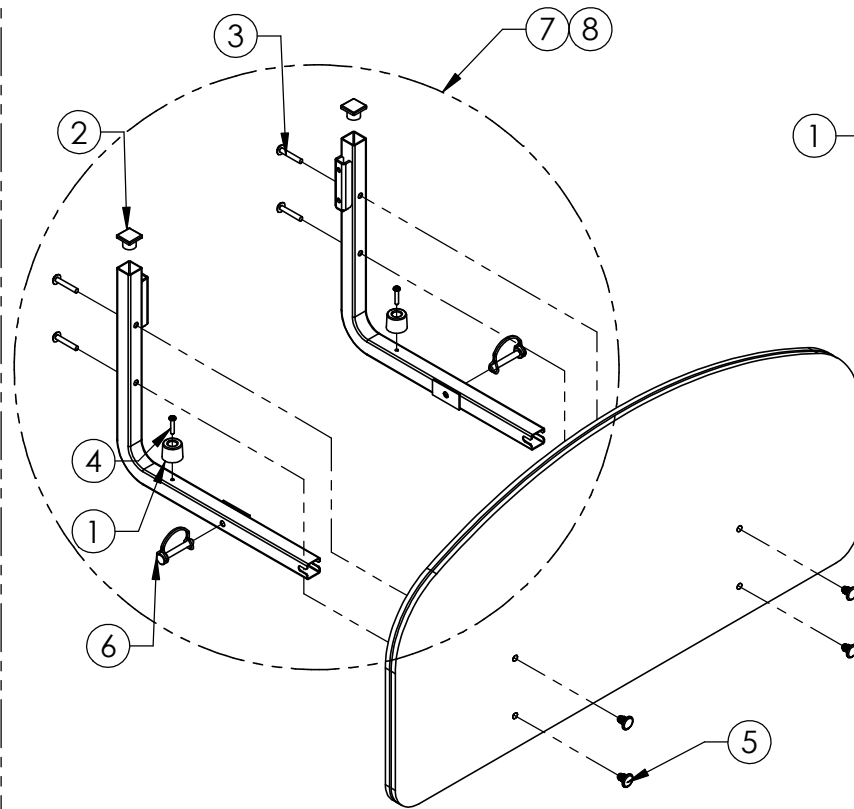
**STAFF CONTROL
PANEL COMPONENTS
76" AND 80" VERSIONS
MODELS: EASYCARE 500 and 600**



ITEM NO.	PART NUMBER	DESCRIPTION
1	39001114	KIT, COVERS, STAFF CONTROL, STANDARD, SOFT TONE (ATTACHING HARDWARE) (REPLACES BROWN COLOR OPTION)
	39001115	KIT, COVERS, STAFF CONTROL, ADVANCED, SOFT TONE (ATTACHING HARDWARE) (REPLACES BROWN COLOR OPTION)
2	39001112	KIT, STAFF CONTROL, STANDARD, SOFT TONE (ATTACHING HARDWARE) (REPLACES BROWN COLOR OPTION)
	39001113	KIT, STAFF CONTROL, ADVANCED, SOFT TONE (ATTACHING HARDWARE) (REPLACES BROWN COLOR OPTION)
3	39001016	KIT, STAFF CONTROL, CABLE AND COVER (ATTACHING HARDWARE)

PANEL COMPONENTS
76" AND 80" VERSIONS
MODELS: EASYCARE 500 and 600

HEAD PANEL ASSEMBLY



FOOT PANEL ASSEMBLY

HARDWARE, HEAD PANEL

ITEM NO.	PART NUMBER	DESCRIPTION
1	11013253	BUMPER, STOP
2	12470467	CAP, TUBE, 1" x 1"
3	12542588	SCREW, MACHINE, 1/4-20 X 1 1/2"
4	12551030	SCREW, THREAD FORMING, #10-24 X 1"
5	12640029	NUT, THREAD INSERT, 1/4-20
6	12793116	PIN, SAFETY, 5/16" X 2"
7	39001366AL	KIT, HEAD SECTION, PANEL MOUNTING 76" (ALL PARTS DEPICTED EXCEPT PANEL INSERTS)
8	39001379AL	KIT, HEAD SECTION, PANEL MOUNTING 80" (ALL PARTS DEPICTED EXCEPT PANEL INSERTS)

HARDWARE, FOOT PANEL

ITEM NO.	PART NUMBER	DESCRIPTION
1	12542590	SCREW, MACHINE, 1/4-20 X 3/4"
2	12640029	NUT, THREAD INSERT, 1/4-20
3	12793116	PIN, SAFETY, 5/16" X 2"
4	39001380AL	KIT, FOOT SECTION, PANEL MOUNTING (ALL PARTS DEPICTED EXCEPT PANEL INSERTS)

Notes:

United States
2430 Whitehall Park Dr. Ste 700
Charlotte, NC 28273
(P) 800.826.0270
(F) 800.457.8827

Canada
35 Consortium Court
London, ON Canada N6E 2S8
(P) 866.546.1151
(F) 519.451.8662

**United Kingdom and
Other Countries**
+44 (0)344 811 1158

Netherlands
+31 (0)88 2080200