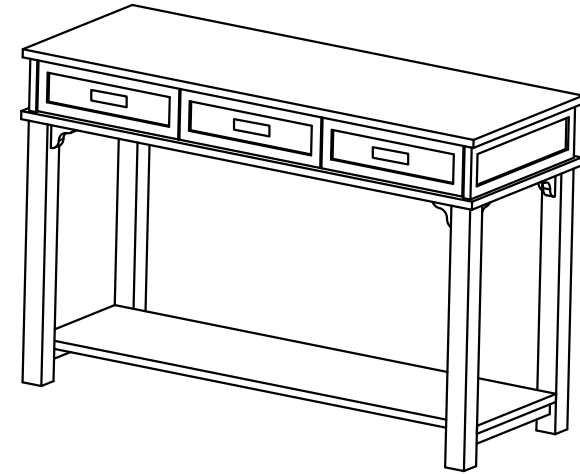
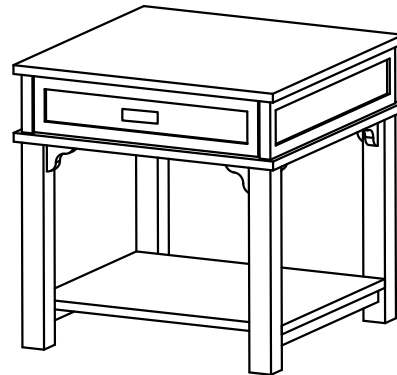
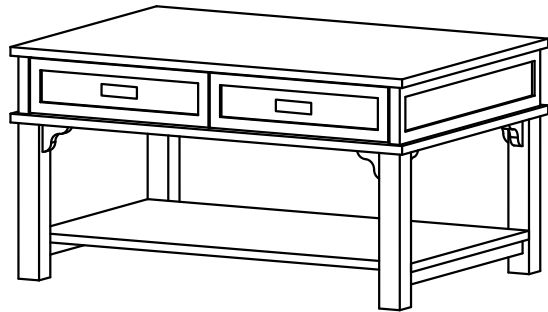


# Maxwell Thomas®

By Direct Supply

## Oak Park Occasional Table Collection



Dimensions:	Top Surface Weight Capacity*	Shelf Weight Capacity*	Overall Height	Overall Width	Overall Depth	Shelf Height	Leg Clearance Height	Unit Weight
Oak Park Coffee Table	300 lbs.	40 lbs.	20"	38"	26"	5¾"	26"	88 lbs.
Oak Park End Table	150 lbs.	40 lbs.	24"	24"	18"	5¾"	24"	66 lbs.
Oak Park Sofa Table	200 lbs.	40 lbs.	31"	48"	24"	5¾"	18"	118 lbs.

### Construction:

Top-quality oak veneer and oak hardwood. Dowel, screws, camlocks and bolt construction for a super-durable, commercial-grade occasional table.

### Floor Glides:

Adhesive-backed felt pads.

### Drawers:

½" European beech plywood drawer boxes with finger joints and screws. 75 lb. ball-bearing drawer slides.

### Warranty:

7-year limited warranty.

### Tops:

Finish-matched high-pressure laminate (HPL) with oak hardwood trim.

### Customization:

Customization is possible – please contact your Direct Supply account manager to learn more.

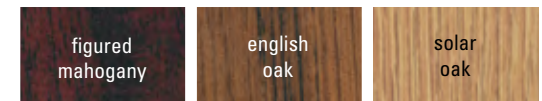
### Hardware:



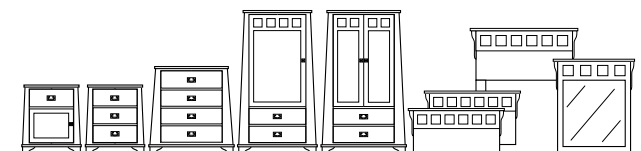
basketweave pull

### Finishes:

All veneer and hardwood surfaces are finished in a commercial-grade catalyzed lacquer finish.



### Also Available in Oak Park:



Oak Park Veneer Casegoods

\* **WARNING:** Do not sit or stand on the occasional table top or lower shelf. Doing so could cause bodily harm to the resident and/or caregiver.